

S25/30/35XE

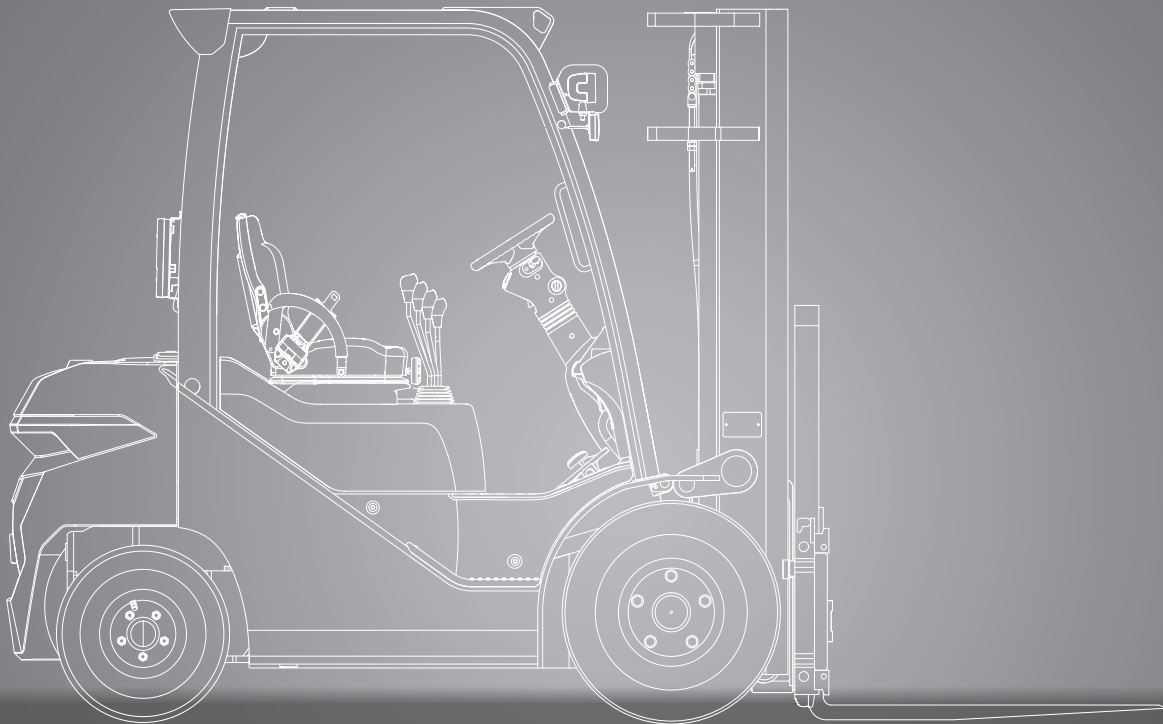
RENEGADE

Electric Crossover Forklift

2500 kg

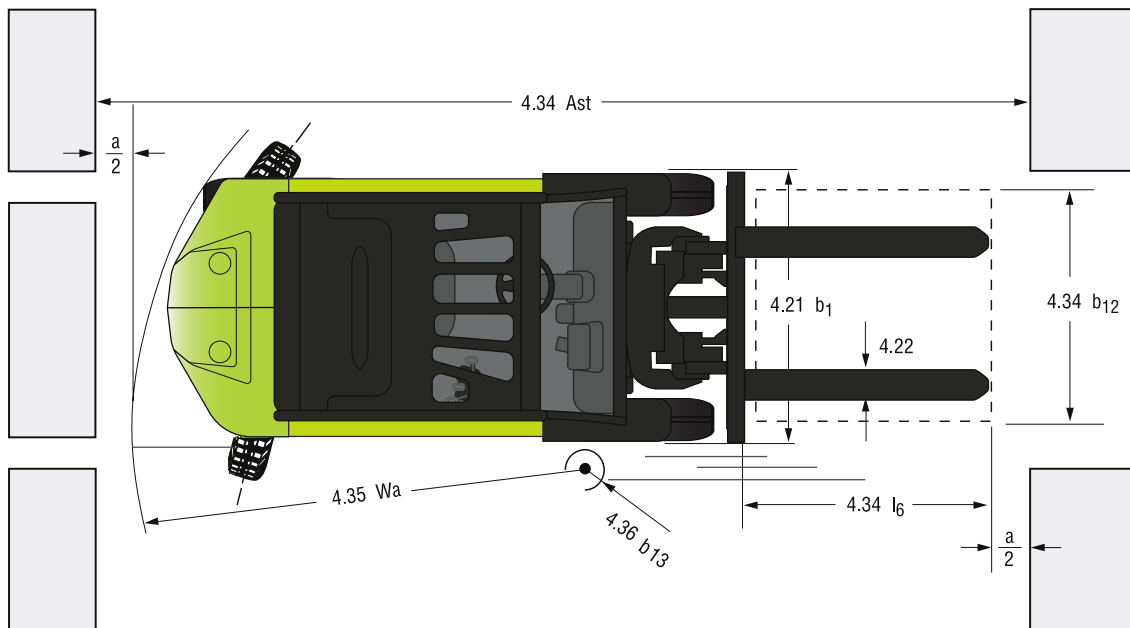
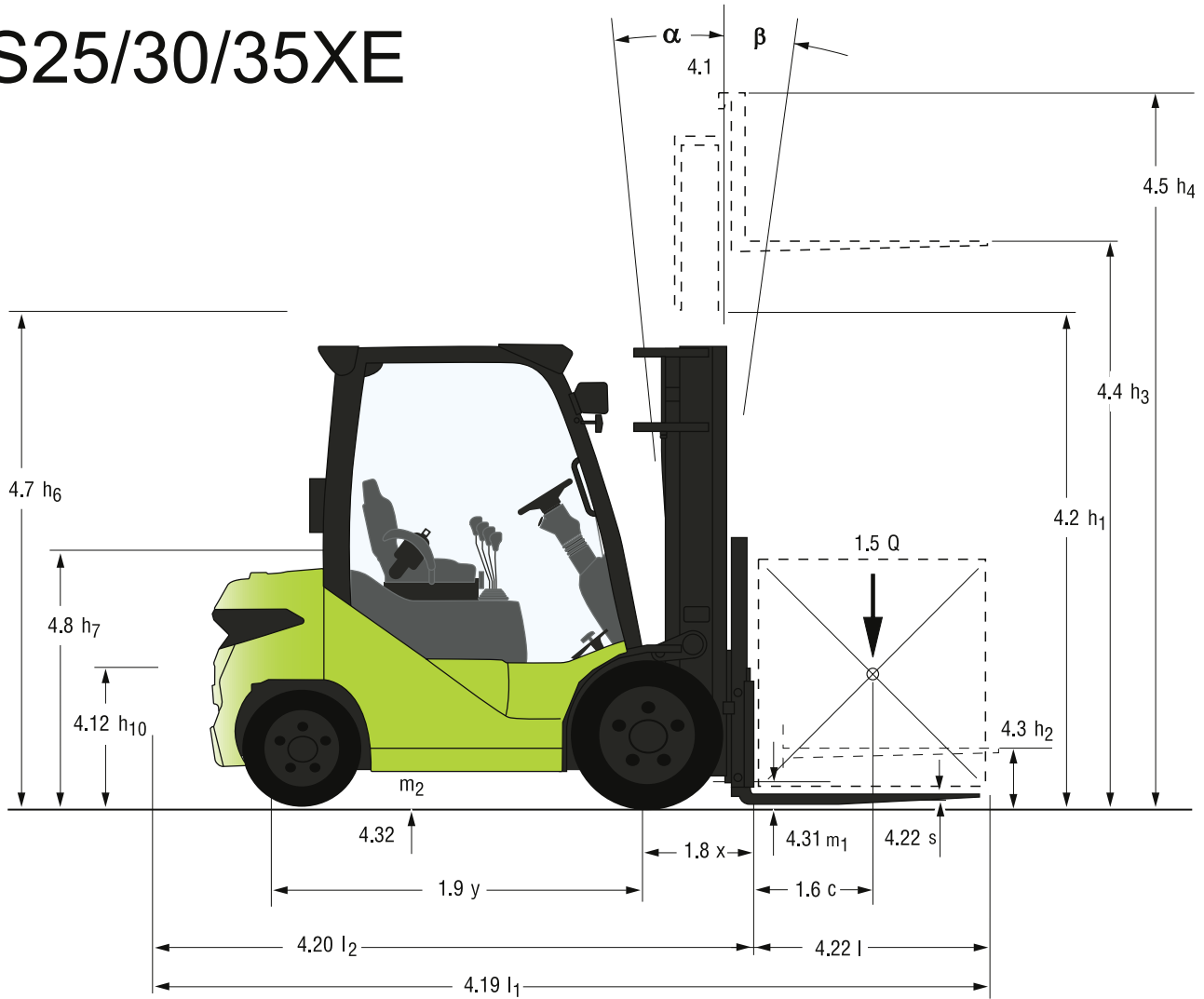
3000 kg

3500 kg



DIMENSIONS

S25/30/35XE



For corresponding data see specification chart.

SPECIFICATIONS acc. to VDI 2198

	1.1	Manufacturer (Abbreviation)	CLARK	CLARK	CLARK	
Specifications	1.2.1	Manufacturer's designation	S25XE	S30XE	S35XE	
	1.3	Drive unit	Electric-80V	Electric-80V	Electric-80V	
	1.4	Operator type stand on/driver seated	Driver-seated	Driver-seated	Driver-seated	
	1.5	Load capacity/rated load	Q (kg)	2500	3000	3500
	1.6	Load centre distance	c (mm)	500	500	500
	1.8	Load centre distance, centre of drive axle to fork face	x (mm)	465	475	495
	1.9	Wheelbase	y (mm)	1650	1700	1700
Weight	2.1	Service weight	kg	3981	4388	4788
	2.2	Axle loading, laden front/rear	kg	5711 / 770	6595 / 793	7393 / 895
	2.3	Axle loading, unladen front/rear	kg	1748 / 2233	1875 / 2513	1844 / 2944
Tyres, Chassis	3.1	Tyre type, SE = superelastic, C = cushion	SE	SE	SE	
	3.1	Tyre size, front, superelastic	7.0-12	28x9-15	250-15	
	3.3	Tyre size, rear, superelastic	6.0-9	6.5-10	6.5-10	
	3.5	Wheels, number front/rear (x = drive wheels)	2x/2	2x/2	2x/2	
	3.6	Tread, front SE (wide tyres/double tyres)	b10 (mm)	995(1044/1199)	1003(1079/1199)	1049(1085/1232)
	3.7	Tread, rear SE	b11 (mm)	970	970	970
Dimensions	4.1	Tilt of upright/fork carriage, α / β	deg	10 / 8	10 / 8	10 / 8
	4.2	Height, upright lowered	h1 (mm)	2165	2180	2200
	4.3	Freelift	h2 (mm)	110	110	115
	4.4	Lift height * 1	h3 (mm)	3300	3300	3165
	4.5	Height, upright extended	h4 (mm)	3924	3967	3913
	4.7	Height overheadguard (Cabin)	h6 (mm)	2165 (2185)	2180 (2200)	2200 (2220)
	4.8	Seat height	h7 (mm)	1157	1172	1172
	4.12	Coupling height	h10 (mm)	410	425	425
	4.19	Overall length	l1 (mm)	3612	3727	3920
	4.20	Length to face of forks	l2 (mm)	2640	2770	2850
	4.21	Width (wide tyres/double tyres)	b1 (mm)	1190(1240/1600)	1225(1305/1600)	1278(1325/1684)
	4.22	Fork dimensions	s • e • l (mm)	45X100X1070	45X122X1070	50X125X1070
	4.23	Fork carriage DIN 15173, A, B		II A	III A	III A
	4.24	Fork carriage width	b3 (mm)	1040	1040	1145
	4.31	Ground clearance minimum, laden	m1 (mm)	135	150	170
	4.32	Ground clearance centre of wheelbase	m2 (mm)	155	170	170
4.33	Stacking aisle for pallets (l6 · b12) 1000 x 1200 across	Ast (mm)	3935	3995	4055	
4.34	Stacking aisle for pallets (l6 · b12) 800 x 1200 along	Ast (mm)	4135	4195	4255	
4.35	Turning radius	Wa (mm)	2270	2330	2390	
4.36	Inside turning radius	b13 (mm)	741	751	751	
Performance	5.1	Travel speed laden/unladen	km/h	18,0 / 18,0	18,0 / 18,0	18,0 / 18,0
	5.2	Lift speed laden/unladen	m/s	0,41 / 0,54	0,39 / 0,49	0,35 / 0,41
	5.3	Lowering speed laden/unladen	m/s	0,55 / 0,50	0,55 / 0,50	0,47 / 0,43
	5.6	max. drawbar pull laden/unladen (S2 5 Min.)* 2	N	20172 / 10925	19398 / 12160	19564 / 7698
	5.8	max. gradeability laden/unladen	%	33,2 / 27,3	25,3 / 24,4	25,2 / 17,5
5.10	Service brake		Drum brakes	Drum brakes	Drum brakes	
Drive line	6.1	Drive motor rating (S2 60 Min.)	kW	17,2	17,2	17,2
	6.2	Lift motor rating (S3 15%)	kW	19,1	19,1	19,1
	6.3	Battery acc. to DIN43531/35/36 A,B,C,no		Lithium-Ion (LFP)	Lithium-Ion (LFP)	Lithium-Ion (LFP)
	6.4	Battery voltage, nominal capacity K5	AH/5hr	205 / 410	205 / 410/ 460	205 / 410 / 460
	6.5	Battery weight (min.)	kg	312 / 312	312 / 312/ 390	312 / 312 / 390
Misc.	8.1	Type of control		Inverter / AC	Inverter / AC	Inverter / AC
	8.2	Operating pressure for attachments	bar	adjustable	adjustable	adjustable
	8.4	Sound level, driver's ear DIN 12053	dB (A)	<65	<65	<65

*1 Further lift heights see upright table *2 At friction coefficient $\mu=0.6$ with 1.6 km/h

All values shown are for standard lift truck with standard equipment. If the truck is supplied with options, values may change. The specifications apply under normal operating conditions. All values given may vary + 5 % and - 10 % due the motor and system tolerances and represent nominal values obtained under typical operating conditions. CLARK reserves the right to change products and specifications without prior notice.

PRODUCT DESCRIPTION

Product description CLARK S25/35XE electric forklift truck

The CLARK electric forklift trucks in the S25/35XE series are the ideal combination of proven components and modern lithium-ion drive technology. Built on the stable frame of the S20-35 diesel series, these forklifts offer reliability, performance and ergonomics - with a permanently integrated lithium-ion battery for virtually uninterrupted operation. They are suitable for both indoor and outdoor use as they are robust enough for harsh environments, have underbody protection but also offer the precision and manoeuvrability required for tight warehouses. The S25/35XE series combines low maintenance, low running costs and a longer service life and represents the next generation of electric forklift trucks.

Lithium-Ion-Technology

The electric forklift trucks in the S25/35XE series are equipped with a powerful lithium-ion battery as standard. Thanks to fast charging times, the forklift truck can be operated almost without interruption. The integrated battery management system (BMS) ensures safe operation and shows possible error codes directly on the smart display. This innovative battery technology minimises downtimes and maximises productivity.

Drive system, battery and charging technology

The S25/35XE forklifts are equipped with a powerful 17.2 kW AC drive motor and modern 80 volt three-phase AC technology. Three Li-ion batteries are available for the S25/35XE series: 80V 205Ah, 80V 410Ah and 80V 460Ah. An integrated charger with 80V and 40Ah can be selected as an option. External chargers are also available, with capacities of 80V 100Ah, 150Ah and 200Ah, so that a more powerful charger can be used for shorter charging times as required.

Operator compartment

- Functional, safe and low-vibration
- Ergonomic driver's seat with plenty of legroom
- Large, low-set, non-slip tread with perforated plate (tread height: 420 mm)
- Non-slip foot area with sturdy rubber coating
- Large grab handle on the driver's side makes it easier to get on and off the vehicle
- Adjustable steering column for more leg and foot room
- Small steering wheel diameter ($\varnothing = 300$ mm)
- Hydraulic control via lever on the hood or electronic hydraulic control via mini levers
- Ergonomically arranged drive and brake pedals
- Low front panelling for the best view
- Nested mast profiles with optimum visibility
- Storage compartment with document holder and optional USB charging port

Brake and steering system

- Automatically engaging electric parking brake
- Roll-back protection on inclines and ramps (Full-Stop)
- Hydraulic power steering

Hydraulics

- Large hydraulic oil tank ensures that there is always enough hydraulic oil for all mast and attachment types
- Full-flow return filter filters the oil every time it returns to the tank
- Power breakage protection for increased safety prevents the loads from dropping in an uncontrolled manner

Upright

- Very good visibility thanks to wide masts, narrow centre cylinders and optimised mast design
- Robust 6-roller fork carriage with adjustable side support rollers
- CLARK mast damping absorbs vibrations during the transition between the individual mast stages

Smart-Display

- Clear, easy-to-read 5-inch colour display
- Splash-proof (IP65)
- Password-protected service access
- Customisable driving behaviour (e.g. including adjustable acceleration, electric braking)
- Selection of different warning notices in different languages

EXTRA EQUIPMENT

Driver comfort and ergonomics

- Driver's seat options such as seats with armrests or side bars
- Panoramic mirror
- Rear grab with horn
- Mini-lever control
- Direction switch on mechanical lever
- Direction switch in the armrest with mini-levers
- Seat belt control with sequence check
- Air conditioning system

Safety and warning systems

- Acoustic reversing alarm
- Warning lights and blue safety lights
- Rear-view camera
- Load weight indicator

Equipment and customisations

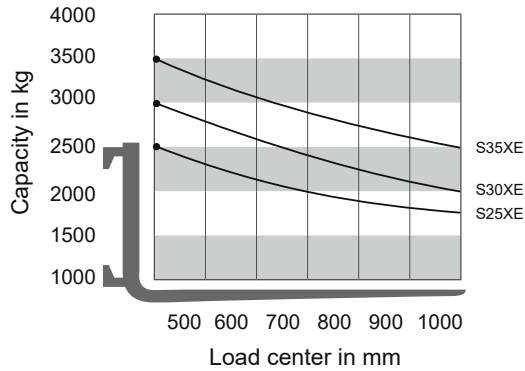
- Wide track and dual tyres
- Various cab variants: from weather protection to full cab with heating
- Sideshifter
- Fork positioner
- CLARK VMS (Automatic vertical positioning of the mast)

Safety

The S25/35XE-series is CE-certified and complies with all European safety standards. Contact your local CLARK dealer to find the right configuration for your needs.

GENERAL DATA

Truck Capacities at different load centres



Note:

The listed capacities are valid only for the standard upright in vertical position with standard fork carriage and standard forks, up to max. lifting height of 3300 mm (3165 mm). The centre of gravity of the load may be displaced by max. 100 mm against the longitudinal centre plane of the truck. Load centre is determined from top and front face of the forks. The values are based on a 1000 mm cube load configuration with the centre of gravity at the true centre of the cube with upright tilted forward lower capacity values are valid. Attachments, longer forks, exceptional load dimensions and higher lifting heights can reduce the capacity.

Please talk to your CLARK dealer if you require further information.

Upright table S25/30XE

Mast type	Lift height (h3)	Mast height lowered (h1)	Mast height extended (h4)		Free lift (h2)	
			with load backrest	without load backrest	with load backrest	without load backrest
	mm	mm	mm	mm	mm	mm
Standard	2120	1575	3340	2718	110	110
	2980	2005	4200	3578		
	3300	2165	4520	3898		
	3500	2305	4720	4098		
	3725	2455	4944	4322		
	3860	2530	5080	4458		
	4165	2800	5384	4762		
	4380	3000	5600	4978		
	4620	3230	5840	5218		
	5170	3495	6390	5768		
Triplex	4320	2005	5539	4943	786	1382
	4500	2065	5719	5123	816	1442
	4800	2165	6017	5423	946	1542
	5210	2305	6429	5833	1086	1682
	5520	2455	6739	6143	1236	1832
	5740	2530	6959	6363	1311	1907
	6100	2690	7319	6723	1471	2067
	6370	2800	7589	6993	1581	2177
	6830	3000	8049	7453	1781	2377
	7315	3230	8534	7938	2011	2607
HI-LO	2935	2005	4155	3559	786	1382
	3255	2165	4475	3879	946	1542
	3530	2305	4750	4154	1086	1682
	3760	2455	4980	4384	1236	1832
	3910	2530	5128	4532	1311	1907

Note: For the S30XE 15 mm must be added to height lowered (h1) and free lift (h2).

Upright table S35XE

Mast type	Lift height (h3)	Mast height lowered (h1)	Mast height extended (h4)		Free lift (h2)	
			with load backrest	without load backrest	with load backrest	without load backrest
	mm	mm	mm	mm	mm	mm
Standard	1985	1610	3215	2733	115	115
	2845	2040	4075	3593		
	3165	2200	4395	3913		
	3365	2340	4595	4113		
	3590	2490	4819	4337		
	3725	2565	4955	4473		
	4030	2835	5255	4773		
	4245	3035	5471	4989		
	4485	3265	5711	5229		
	5035	3530	6261	5779		
Triplex	4140	2040	5363	4903	821	1281
	4320	2100	5543	5083	851	1311
	4620	2200	5843	5383	981	1441
	5030	2340	6253	5793	1121	1581
	5340	2490	6563	6103	1271	1731
	5560	2565	6783	6323	1346	1806
	5920	2725	7143	6683	1506	1966
	6190	2835	7409	6949	1616	2076
	6650	3035	7869	7409	1816	2276
	7135	3265	8354	7894	2046	2506

The performance may vary by + 5% and - 10% due to the tolerances for motor and system efficiency. The performance data represent the nominal values that are achieved under the normal operating conditions for the machine. CLARK reserves the right to change products and specifications without prior notice.

Dealer:

CLARK Europe GmbH

Dr.- Alfred-Herrhausen-Allee 33

D - 47228 Duisburg / Germany

Tel. +49 (0)2065 499 13-0

Fax +49 (0)2065 499 13-290

email: info-europe@clarkmheu.com

www.clarkmheu.com